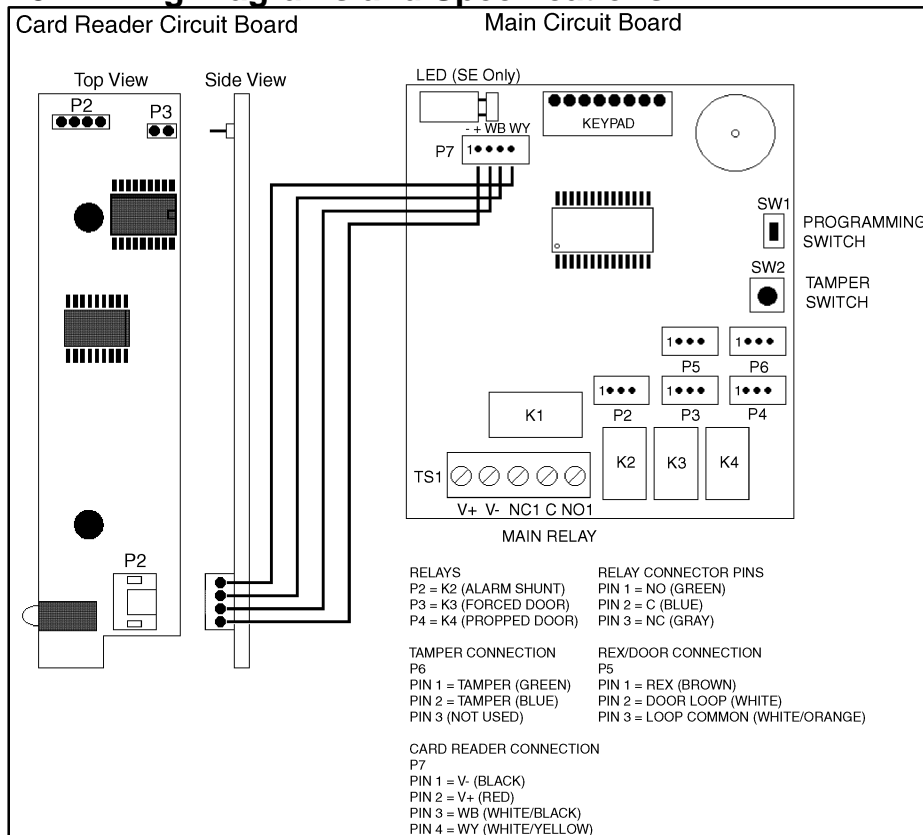


DOOR♦GARD SELF-CONTAINED ACCESS CONTROL SYSTEMS

234 Wiring Diagrams and Specifications



- If a door position switch is not used, you must short the white and white/orange wires on P6 for REX to work.
- The bi-color LED provided with this Door♦Gard lights red when the Main Relay is de-energized and green when the Main Relay is energized.
- When mounting this unit outside, apply silicone to any non-factory drilled holes in the case. This helps prevent warm air from condensing on the circuit board.
- For use in extreme weather conditions, please consult the factory for additional methods of protecting your Door♦Gard from the environment.
- To speed up installation, holes have been spotted on the inside back of the housing for mounting to a wall, single or double-gang electrical box.
- Holes have been spotted on inside front of the housing for the addition of extra LED's (not included).

SPECIFICATIONS

Case Dimensions: 4.50" w x 4.50" h x 1.55" d

Operating Voltage: 12 -24V AC/DC (No Jumper)

Max Current Draw: 12VDC: 45mA
24VDC: 55mA
12VAC: 77mA
24VAC: 98mA

Main Relay Contacts (K1): 2 Amp @ 12-24VAC/DC

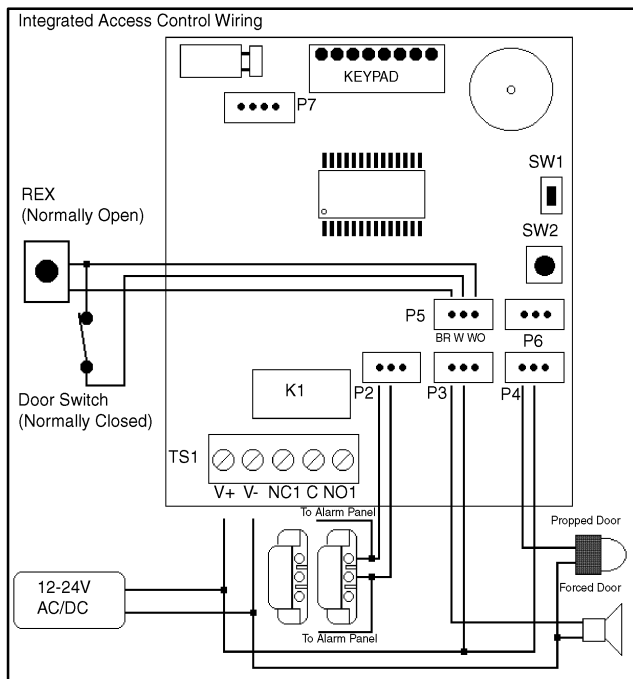
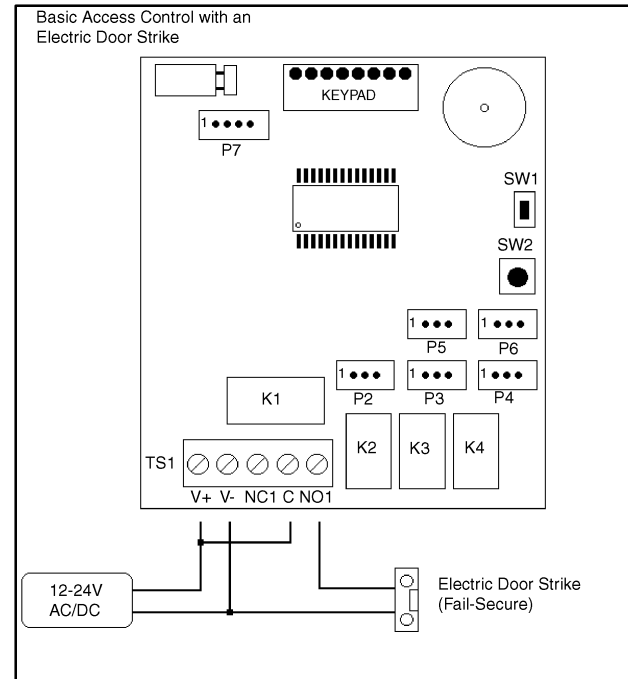
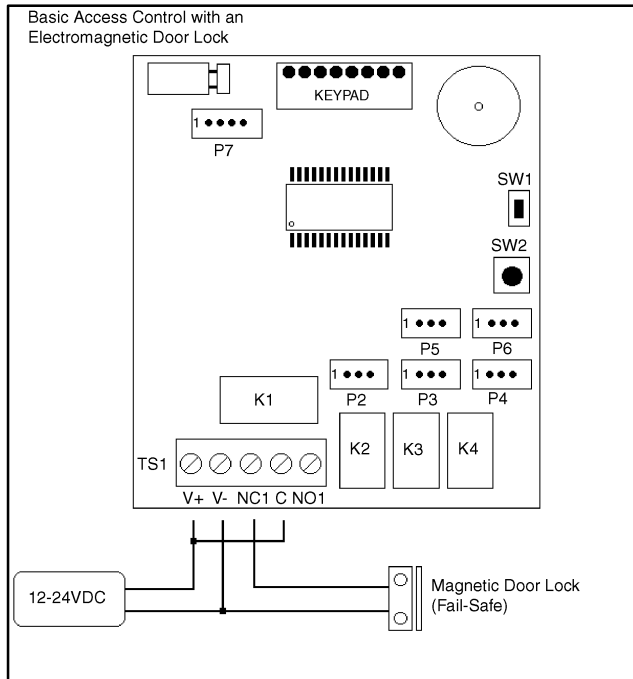
Auxiliary Relays Contacts (K2, K3, K4): 1 Amp @ 12-24VAC/DC

Environment: Indoor or Outdoor

Temperature: -31°F to 151°F (-35°C to 66°C)

TECHNICAL NOTES

- **NEW- HI-CO & LOW-CO CAPABILITY:** This card reader is capable of reading most High and Low Coercivity Magnetic Stripe cards (Including 300, 2750 & 4000 Oersted). Place the P3 jumper cap **ON** both pins located on the card reader circuit board to set it for HI-CO cards. It should also read most LOW-CO cards reliably. If only LOW-CO cards are being used, place the jumper cap on one pin.
- To avoid ESD (electro-static discharge) from interfering with the operation of the Door♦Gard, ground the negative terminal of the keypad to earth ground. If the power supply cannot be grounded, then ground the case.



International Electronics, Inc. (IEI) warrants its products to be free from defects in material and workmanship, when they have been installed in accordance with the manufacturer's instructions, and have not been modified or tampered with. IEI does not assume any responsibility for damage or injury to person or property due to improper care, storage, handling, abuse, misuse, normal wear and tear, or an act of God.

IEI's sole liability is limited to the repair or (at IEI's option) the replacement of the defective product or part when sent to IEI's facility (freight and insurance charges prepaid), after first obtaining IEI's Return Merchandise Authorization. IEI will not be liable to the purchaser or anyone else for incidental or consequential damages arising from any defect in, or malfunction of, its products. This warranty shall expire two years after shipping date for DOOR-GARD keypads. Except as stated above, IEI makes no warranties, either express or implied, as to any matter whatsoever, including, without limitation to, the condition of its products, their merchantability, or fitness for any particular purpose.

INTERNATIONAL ELECTRONICS, INC.
 427 TURNPIKE STREET
 CANTON, MA 02021 USA
 800-343-9502, 781-821-5566,
 781-821-4443 (FAX)
 WEB ADDRESS: www.ieib.com

