



LINEAR

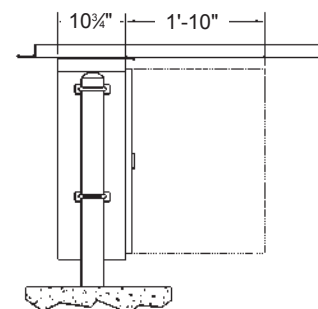
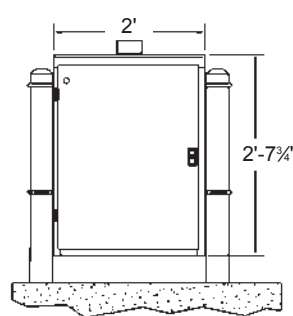
# Variable Speed Swing Gate Operators

Model **VS-GSWG**



## VS-GSWG Variable Speed Industrial

- Integral APeX Controller
- For large/heavy swing gates
- Continuous-duty industrial motor, 1/2, 1, or 2 HP
- Linear drive arm — for positive security
- Full variable speed
- Soft start/soft stop capability
- All voltages, single or three-phase
- Powder coat finish
- Post mount standard; pad mount optional



## VS-GSWG SERIES SWING GATE OPERATOR SPECIFICATIONS

	Model	HP	Voltage Single-Phase (Voltage Three-Phase)	Maximum Gate Length	Maximum Gate Weight	Gate Speed	Shipping Weight
<b>VS-GSWG</b>	VS-GSWG-2	1/2	115 / 230 VAC (208 / 230 / 460 VAC)	28'	1000 lbs	18-22 sec	295 lbs
	VS-GSWG-1	1	115 / 230 VAC (208 / 230 / 460 VAC)	32'	1200 lbs	18-22 sec	295 lbs
	VS-GSWG-7	2	115 / 230 VAC (208 / 230 / 460 VAC)	36'	1500 lbs	18-22 sec	300 lbs

# Features

## Electrical

- Solid state 24V control board UL325/UL991 compliant
- Diagnostic LED display for ease of setup and trouble shooting
- Variable speed — soft start/ stop programmable through variable frequency drive
- 1/2, 1, & 2 HP industrial, continuous-duty, three-phase, 56-frame motors
- Integral entrapment sensing system with digital set point for accurate adjustment and enhanced safety
- Integrated maximum run and auto close timers
- Built-in dual gate capability using 3-wire shielded cable
- 24V DC power available for access control accessories
- Continuous-tone entrapment alarm with reset button
- Integrated warning beeper during gate movement
- Selectable pre-start alarm with provision for ADA compliant visual pre-start and run alarm

## Mechanical

- Heavy-duty 60:1 right-angle C-face gear reducer
- Exclusive linear drive arm
- Heavy-duty pillow-block bearings
- Adjustable torque limiter

### 1. APeX Controls

- UL325/UL991 compliant 24VDC control module
- Full featured for access control, security, and entrapment protection
- Integral MegaCode receiver
- On-board 3-button station

### 2. Direct C-Face Motor to Gear Box Drive

- Designed for smooth and dependable power transmission

### 3. Variable Drive Speed

- Programmable variable speed controller for smooth gate operation and high gate speed

### 4. Heavy-Duty Components

- Adjustable torque limiter and heavy-duty pillow block bearings for smooth, reliable, quiet power transmission
- All models rated for continuous duty

### 5. Weather-Resistant Cabinet

- Galvannealed steel cabinet with powder coat finish
- Lockable, gasketed, hinged, and removable front cover

### 6. Standard Convenience Features

- Exterior stop/reset button
- Power on/off button



#### CAUTION

- Automatic gates not for pedestrians
- Automatic gate operators designed for vehicular traffic only; operators are powerful and can cause serious injury or death; DIRECT ALL PEDESTRIAN TRAFFIC TO SEPARATE PEDESTRIAN GATE
- UL325 requires use of contact or non-contact anti-entrapment devices
- ASTM F2200 requires that all exposed rollers are covered