

2.25" FLUSH MOUNT STAINLESS STEEL TRIM RING*



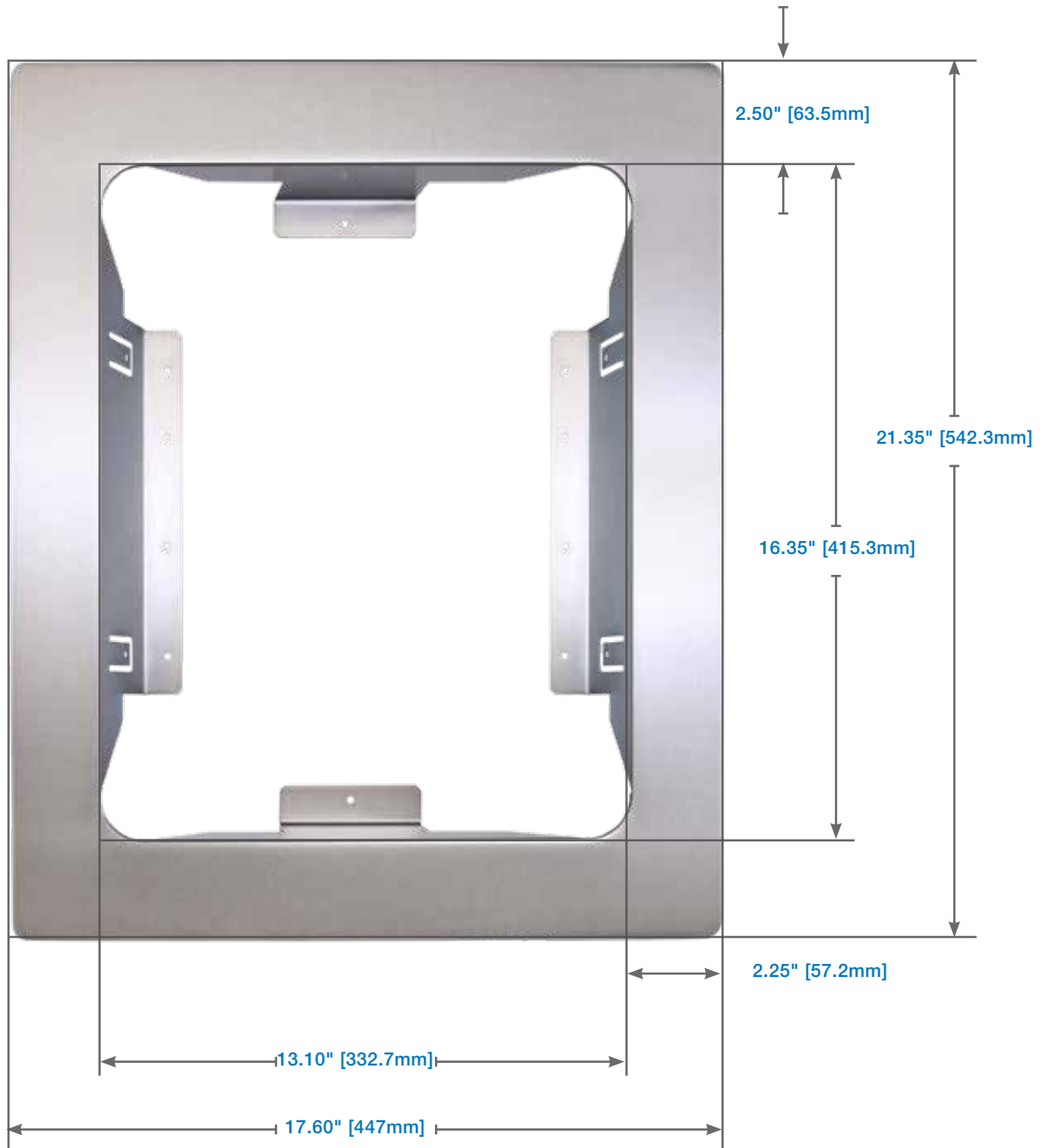
*Note the e3 Entry panel is not flat and $\frac{3}{4}$ inch off surface at top sloping to $\frac{1}{2}$ inch at the bottom.

Features

- Fits EC and EN Series Models
- Designed for new installation
- AE2000 model retrofit
- Smooth rounded edges
- Modern clean look and feel

Please visit [linear-solutions](http://linear-solutions.com), or contact your local Sales Manager.

AE2000 MODEL RETROFIT PRODUCT SPECIFICATIONS



Model	Part #	Description	List
EN-TRAE1K	720-100123	TRIM RING, AE1000 TAKEOVER	\$375.00
EN-TRAE2K	720-100124	TRIM RING, AE2000 TAKEOVER	\$405.00

Nortek Security & Control | 1950 Camino Vida Roble | Suite 150 | Carlsbad, CA 92008 | 800.421.1587 | linear-solutions.com

Copyright © 2018 Nortek Security & Control LLC. All rights reserved. Linear is a registered trademark of Nortek Security & Control LLC. All other products or name brands are trademarks of their respective holders. Specifications and product availability subject to change without notice. Connect with us today—NortekControl.com or 1.800.421.1587.



1.13" FLUSH MOUNT STAINLESS STEEL TRIM RING*

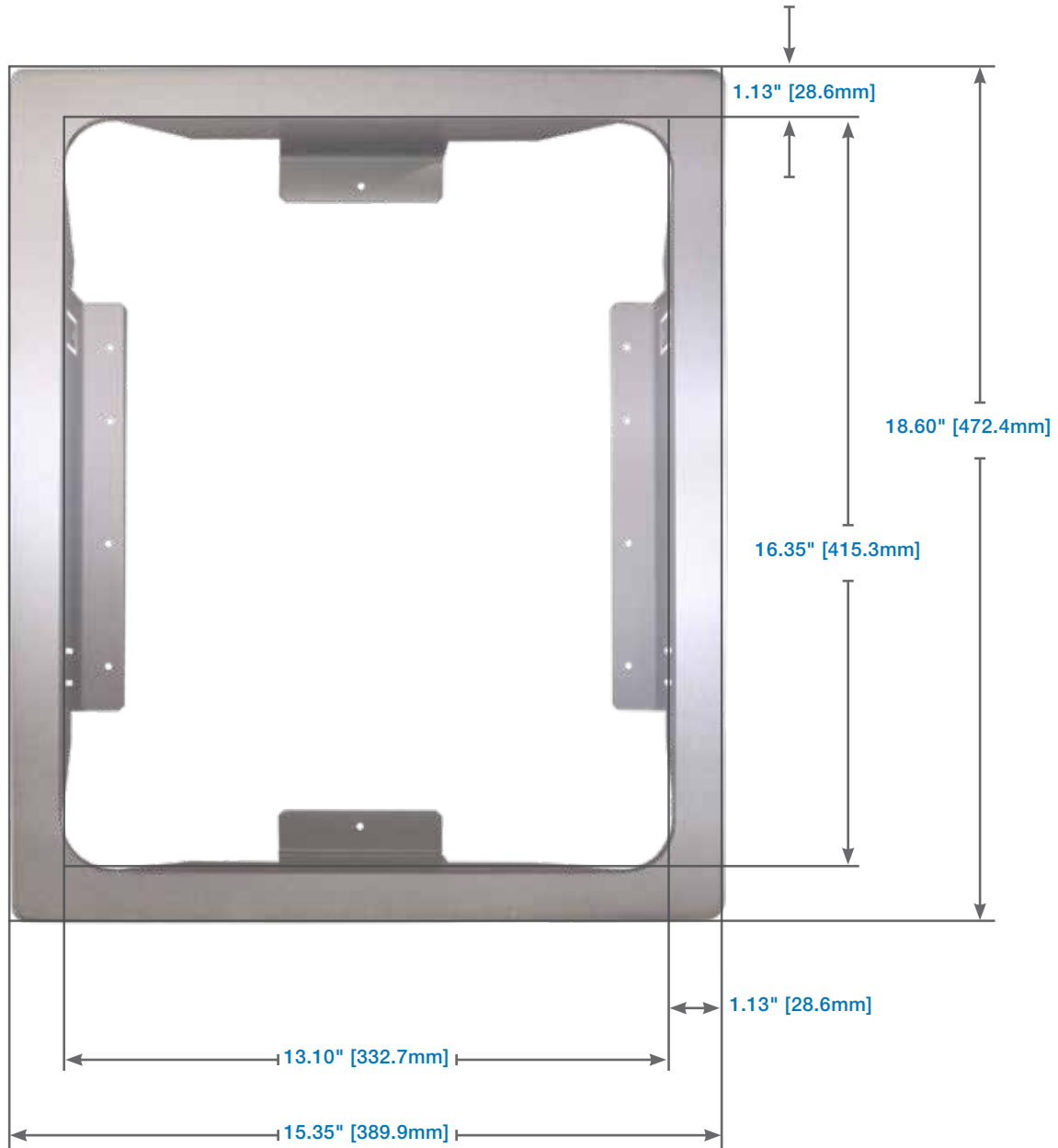


*Note the e3 Entry panel is not flat and $\frac{3}{4}$ inch off surface at top sloping to $\frac{1}{2}$ inch at the bottom.

Features

- Designed for new installation
- AE1000 model retrofit
- Smooth rounded edges
- Modern clean look and feel

AE1000 MODEL RETROFIT PRODUCT SPECIFICATIONS



Model	Part #	Description	List
EN-TRAE1K	720-100123	TRIM RING, AE1000 TAKEOVER	\$375.00
EN-TRAE2K	720-100124	TRIM RING, AE2000 TAKEOVER	\$405.00

Nortek Security & Control | 1950 Camino Vida Roble | Suite 150 | Carlsbad, CA 92008 | 800.421.1587 | linear-solutions.com

Copyright © 2018 Nortek Security & Control LLC. All rights reserved. Linear is a registered trademark of Nortek Security & Control LLC. All other products or name brands are trademarks of their respective holders. Specifications and product availability subject to change without notice. Connect with us today—NortekControl.com or 1.800.421.1587.

